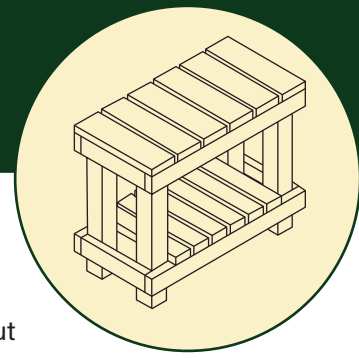
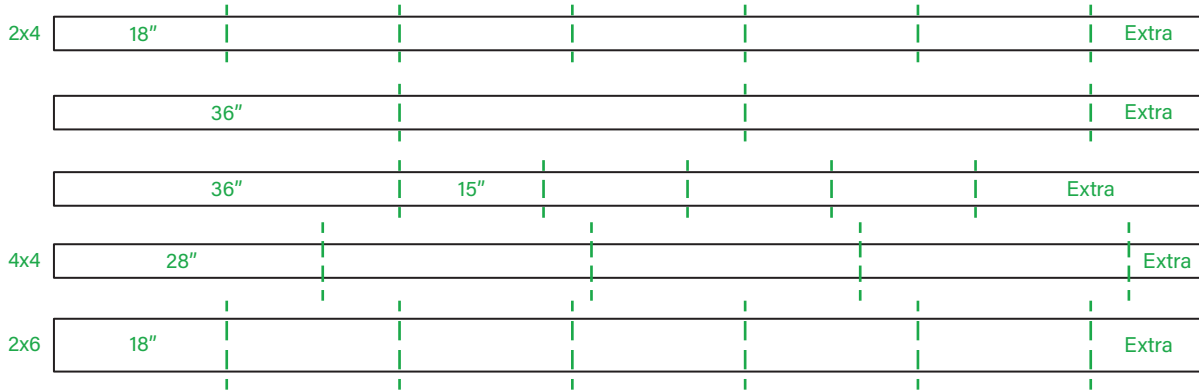


Potting Bench Plan



MATERIALS AND TOOLS:

- (3) 2" x 4" x 10'; (1) 4" x 4" x 10'; and (1) 2" x 6" x 10' piece of lumber
- 4x4 pieces can be pressure-treated for longevity
- Saw; drill; 3 1/2" decking screws; and (6) 3/8 x 3 1/2" carriage bolts with washer and nut
- The materials listed will make a 33" wide bench, but you can build out to 48" wide



BUILD INSTRUCTIONS:

- Connect short cross pieces to 4x4 legs
- Tie legs together by attaching long cross pieces
- Attach bottom shelf pieces, starting from both ends and leaving an even gap between middle pieces
- Attach top shelf pieces, starting from both ends and leaving an even gap between middle pieces

